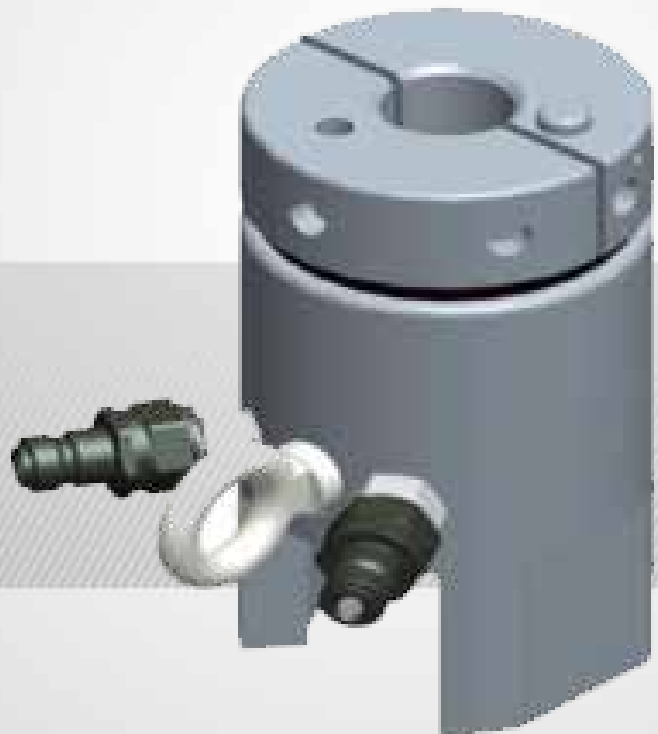


# SUBSEA TECH

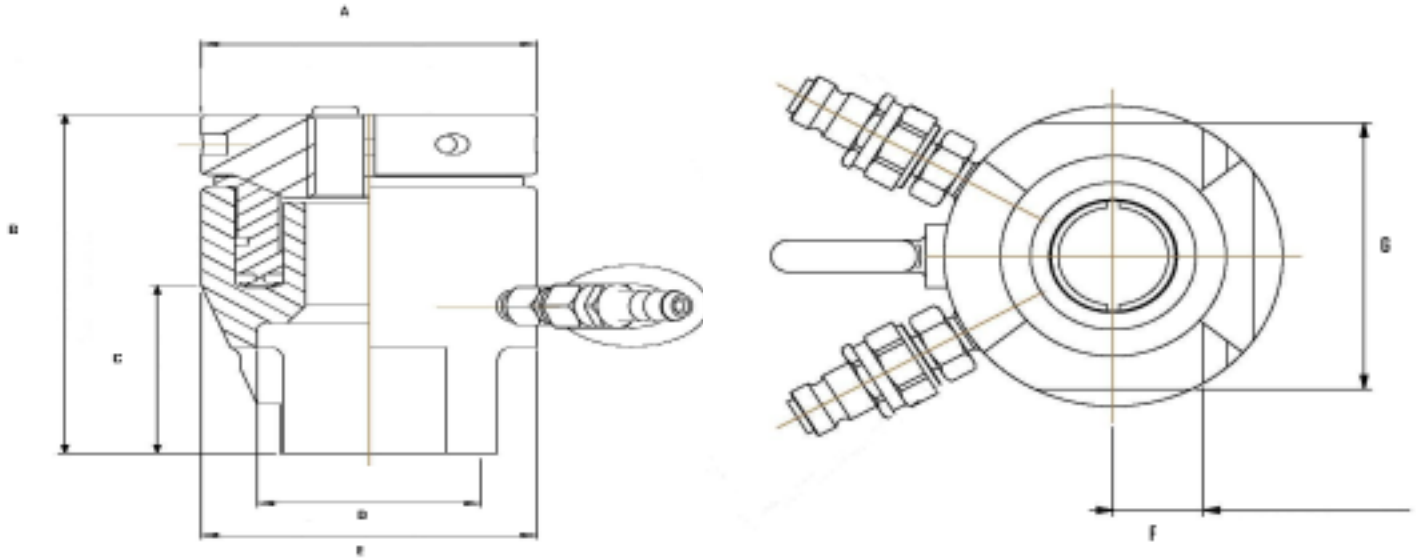
NEW TECHNOLOGY





SUPERIOR BOLTING SOLUTIONS®

# SUBSEA TECH



Tool No	Bolt Size in (mm)	Dim A in (mm)	Dim B in (mm)	Dim C in (mm)	Dim D in (mm)	Dim E in (mm)	Dim F in (mm)	Dim G in (mm)	Pressure Area in.sq (mm.sq)	Max Load lb (kN)
TF1	7/8 (24)	3.54 (90)	6.74 (171)	3.34 (84.75)	2.36 (60)	3.54 (90)	.94 (23.87)	3.15 (80)	3.736 (2410)	81,230 (361)
	1 (27)									
	1.1/8 (30)									
	1.1/4 (33)									
TF2	1.3/8 (36)	4.02 (102)	7.03 (178.5)	3.24 (82.31)	3.03 (77)	4.29 (109)	1.52 (38.5)	3.86 (98)	5.632 (3628)	122,300 (544)
	1.1/2 (39)									
	1.5/8 (42)									
TF3	1.3/4 (45)	4.69 (119)	7.79 (198)	2.78 (70.57)	3.7 (94)	5.12 (130)	1.97 (50)	4.33 (110)	8.404 (5422)	182,800 (813)
	1.7/8 (48)									
TF4	2 (52)	5.83 (148)	9.23 (234.4)	4.33 (110)	5 (127)	6.81 (173)	2.28 (58)	5.81 (131.5)	16.02 (10337)	348,400 (1551)
	2.1/4 (56)									
	2.1/2 (64)									
TF5	2.3/4 (72)	7.28 (185)	10.65 (270.6)	4.33 (110)	6.3 (160)	8.46 (215)	3.07 (78)	6.5 (165)	26.47 (17080)	575,900 (2562)
	3 (76)									
	3.1/4 (80)									
	3.1/2 (85-90)									

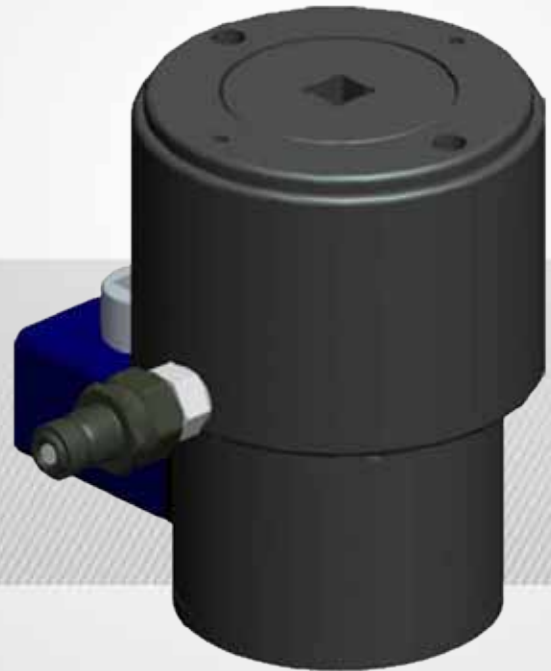
**KEY FEATURES**

- \* 1500 BAR OPERATING PRESSURE
- \* 30MM STROKE
- \* MAXIMUM STROKE INDICATOR
- \* NICKEL PLATED
- \* SPLIT REACTION NUT
- \* FITS ALL STANDARD PIPE FLANGES



# WINDMASTER<sup>™</sup> M33 SINGLE STAGE TENSIONER

NEW TECHNOLOGY

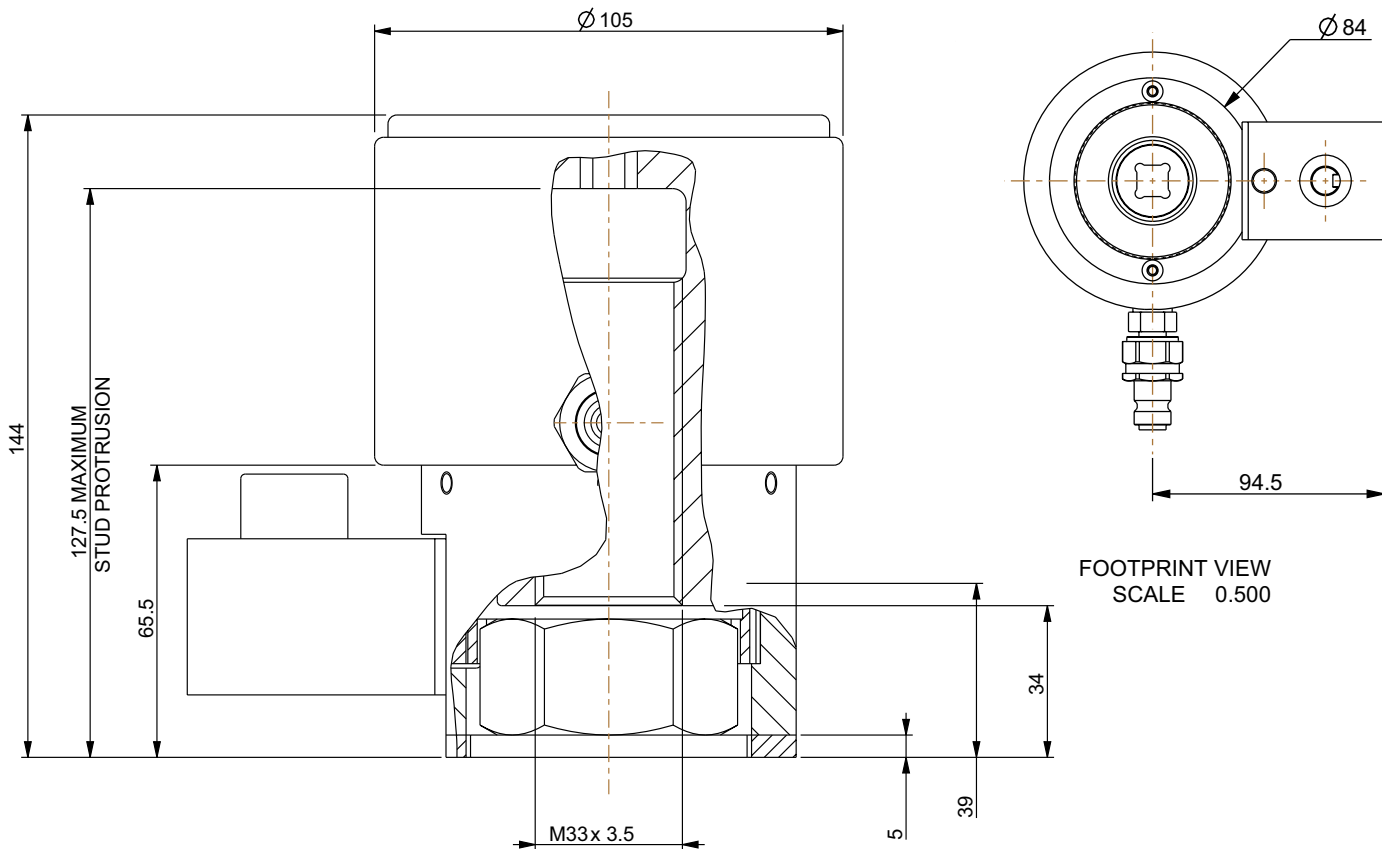


**SUPERIOR** BOLTING SOLUTIONS<sup>®</sup>



SUPERIOR BOLTING SOLUTIONS®

# WINDMASTER™ M33 SINGLE STAGE TENSIONER



FOOTPRINT VIEW  
SCALE 0.500

**TOOL FEATURES:**

- FAST SPRING RETURN
- HIGH CYCLE FATIGUE LIFE
- OPTIONAL SPACER (SHOWN)
- OPTIONAL CARRYING HANDLE
- SAFE FAILURE DESIGN
- ANTI-OVERSTROKE FACILITY
- LONG LIFE SEAL PERFORMANCE
- OPTIONAL NIPPLE/COUPLING CONFIGURATIONS
- LOW MAINTENANCE SPRING LOADED GEAR DRIVE

SPECIFICATION				
MAX WORKING PRESSURE	1350	bar	19580	psi
MAX LOAD	570	kN	128.1	klbf
MAX STROKE	10	mm	0.394	in
APPROX. TOOL WEIGHT	6.0	kg	13.2	lb