



TITAN[®]

SUPERIOR BOLTING SOLUTIONS[®]

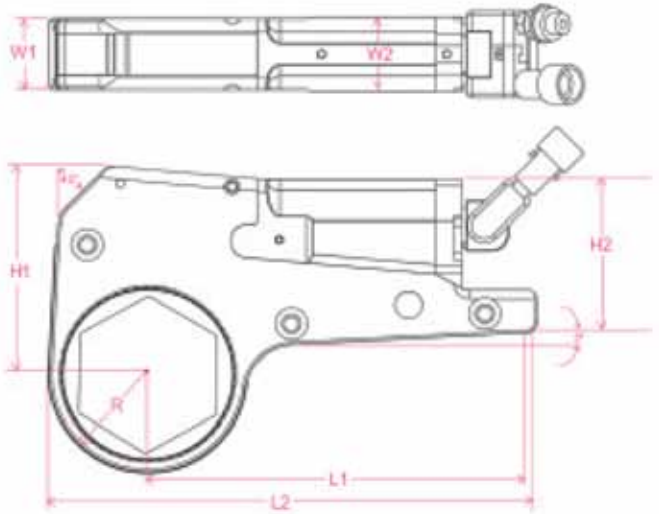
LP SuperThin[™] Series Links

Speciality EXTREME LOW PROFILE Hydraulic Wrenches for BOP and other very restricted access applications

LP Series Standard Link and SuperThin[™] Link

Designed and developed for those very tight applications on BOP's. The Titan SuperThin[™] Series Links are made to deliver an accurate and repeatable torque in even the tightest applications. The tools are continuous ratcheting and eliminate the heretofore time consuming and inaccurate methods used in BOP and other hard to access bolting.

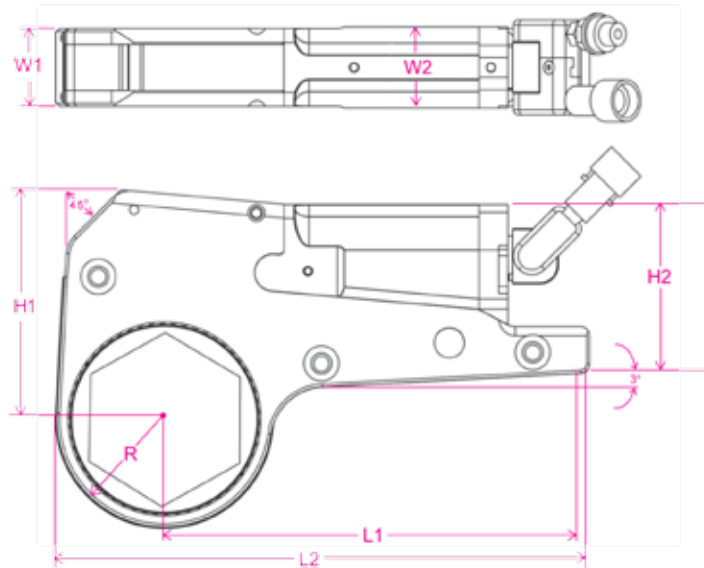
A continuous ratcheting tool. All tools are provided with certification of calibration to +/-3% Torque System accuracy.



TITAN MODEL NUMBER	UNITS	LP 2	LP 4
Range of Hex Sizes A/F	(in) (mm)	3/4 to 2-3/8 19 to 60	7/8 to 3-1/8 22 to 80
Torque Range	(ft-lb) (n-m)	190 to 1900 270 to 2700	390 to 3900 560 to 5600
Cylinder Weight	(lb) (kg)	3.45 1.56	5.8 2.63
Range of Link Weight	(lb) (kg)	1.00 to 3.00 0.45 to 1.36	4.50 to 6.50 2.01 to 2.90
DIMENSIONS of Titan Ultra Thin Extreme Access Links			
L1-Maximum Reaction Reach	(in) (mm)	7.00 177.80	8.41 213.69
L2-Overall Length	(in) (mm)	8.90 226.06	10.70 271.78
H1-Center of Bolt to Top of Tool	(in) (mm)	3.86 98.17	4.77 121.29
H2-Back End Height	(in) (mm)	3.45 87.63	3.78 96.14
W1-Tool Width at Link	(in) (mm)	.75 19.00	1.00 25.40
W2-Tool Width at Cylinder	(in) (mm)	1.25 31.75	1.75 44.45
R-Tool Radius around Bolt	(in) (mm)	1.00 to 1.70 26.16 to 44.48	1.25 to 2.25 33.32 to 58.47



Speciality EXTREME LOW PROFILE Hydraulic Wrenches for BOP and other very restricted access applications



TITAN MODEL NUMBER	UNITS	LP 2	LP 4	LP 8	LP 16	LP 32	LP 48
Range of Hex Sizes A/F	(In) (mm)	3/4 to 2-3/8 19 to 60	7/8 to 3-1/8 22 to 80	1-1/4 to 4-1/2 32 to 115	1-5/8 to 522 41 to 127	2-3/16 to 6-1/8 56 to 155	3-1/8 to 6-1/8 22 to 80
Torque Range	(ft-lb) (n-m)	268 to 1826 363 to 2476	568 to 3788 770 to 5137	1075 to 8024 1457 to 10881	2360 to 16231 3200 to 22000	4896 to 32640 6639 to 44250	7125 to 47500 9660 to 64400
Cylinder Weight	(lb) (kg)	3.45 1.56	5.8 2.63	10.2 4.62	15.5 7.03	18 8.16	19.4 8.80
Range of Link Weight	(lb) (kg)	2.20 to 3.50 1.00 to 1.58	5.25 to 7.50 2.38 to 3.40	11.40 to 14.10 5.17 to 6.39	19.70 to 27.60 8.93 to 12.51	32.00 to 99.00 14.50 to 44.90	35.00 to 99.00 15.87 to 44.90

DIMENSIONS of Titan Ultra Thin Extreme Access Links

L1-Maximum Reaction Reach	(In) (mm)	7.00 177.80	8.41 213.69	11.31 287.32	14.00 355.60	16.00 406.40	16.00 406.40
L2-Overall Length	(In) (mm)	8.90 226.06	10.70 271.78	14.27 362.59	17.95 455.93	19.25 488.95	19.25 488.95
H1-Center of Bolt to Top of Tool	(In) (mm)	3.86 98.17	4.77 121.29	6.16 156.67	7.25 184.15	10.50 266.70	10.50 266.70
H2-Back End Height	(In) (mm)	3.45 87.63	3.78 96.14	6.05 153.67	8.50 215.9	10.90 276.86	10.90 276.86
W1-Tool Width at Link	(In) (mm)	1.25 31.75	1.62 41.28	2.10 53.34	2.35 59.69	2.55 64.77	2.55 64.77
W2-Tool Width at Cylinder	(In) (mm)	1.25 31.75	1.75 44.45	2.10 53.34	2.45 62.23	2.80 71.12	3.10 78.74
R-Tool Radius around Bolt	(In) (mm)	1.03 to 1.75 26.16 to 44.48	1.31 to 2.30 33.32 to 58.47	1.72 to 2.95 43.82 to 74.98	1.95 to 3.50 49.53 to 88.9	2.50 to 4.75 63.5 to 120.65	2.75 to 4.75 70.0 to 120.65

Titan LP Series Tools are manufactured solely from Aircraft Grade, High Strength Alloys selected for their superior stress and fatigue resistant properties.

